

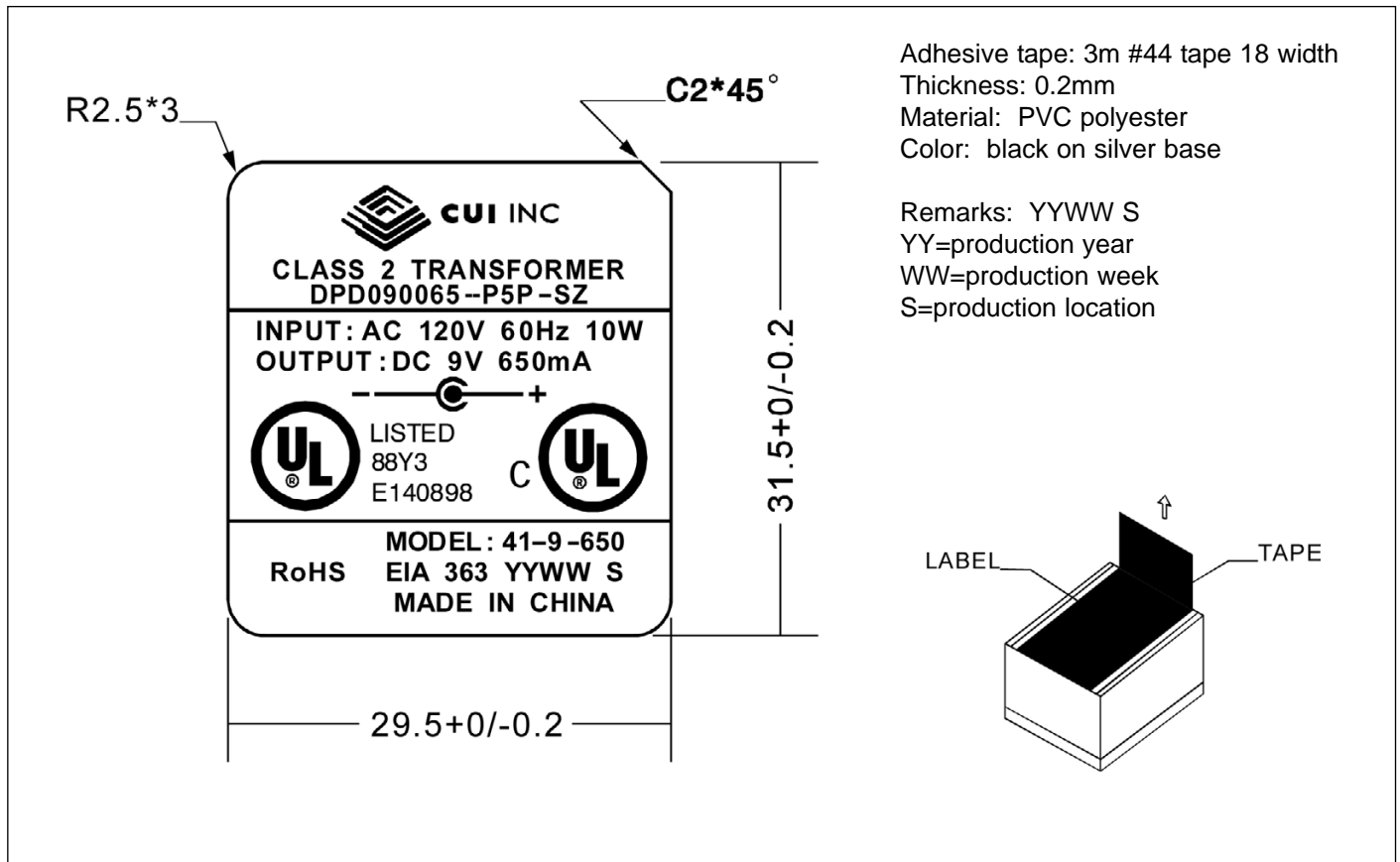


Specifications

Output voltage	9 V dc at 650 mA	
Rated input voltage	120 V ac	
Primary rated voltage	120 V ac 60 Hz 10 W	
Primary exciting current	70 mA rms max.	
Secondary rated voltage & current	no load voltage (max.)	14.5 V max.
	full load volatge (650 mA)	9 V \pm 5%
Temperature rise of primary winding (full load)	70°C max. using resistance method	
Insulation resistance	\geq 100 M Ohm at 500 V dc	
HI-POT test	from input to output for 1 min.	1240 V ac at 2 mA
	from input to output for 1 sec.	1600 V ac at 2 mA
	from primary to seconardy winding for 1 sec.	1600 V ac at 2 mA
	from primary winding to core for 1 sec.	1600 V ac at 2 mA
	from secondary winding to core for 1 sec.	750 V ac at 2 mA
Safety standard	UL/ cUL	
RoHS compliant	yes	
Test conditions	Ambient temp	40°C \pm 2°C
	Humidity	90-95% 96 hours at Full Load
	Rated voltage	8 hours at full load
Color	Case	black
	Cord	black
	Plug top	black



Label

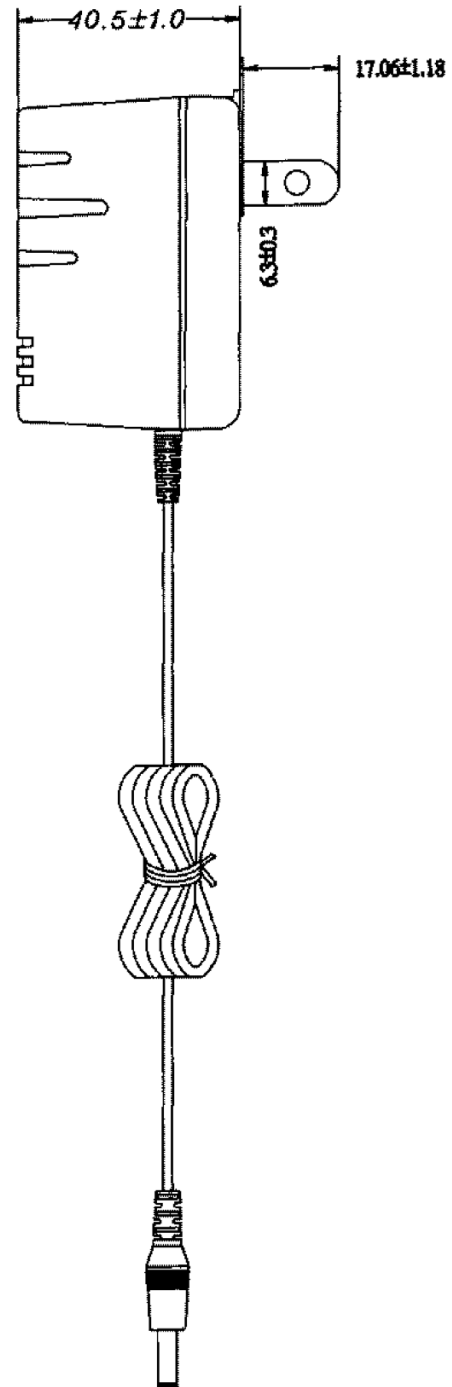
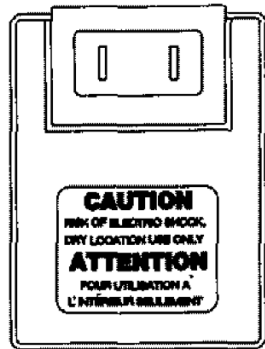
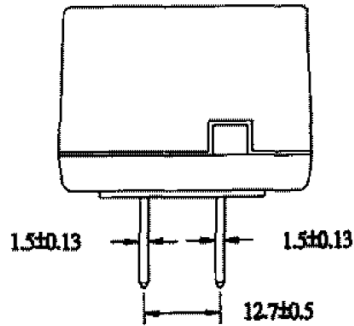
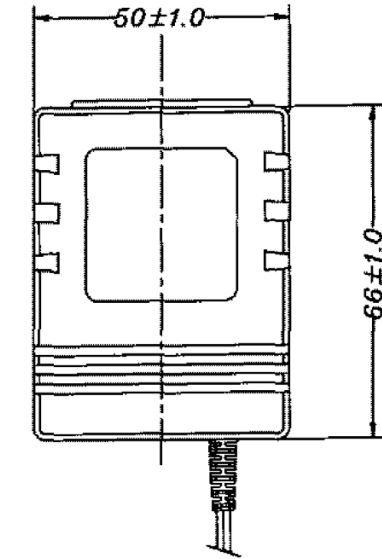




Mechanical Drawing

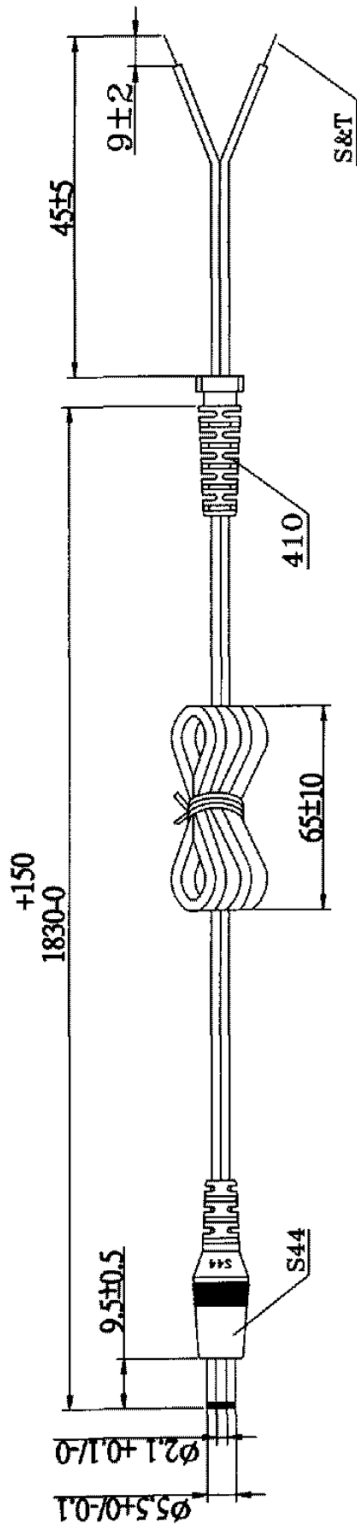
Tolerance: ± 1

Weight 282 ± 15 g





Cord



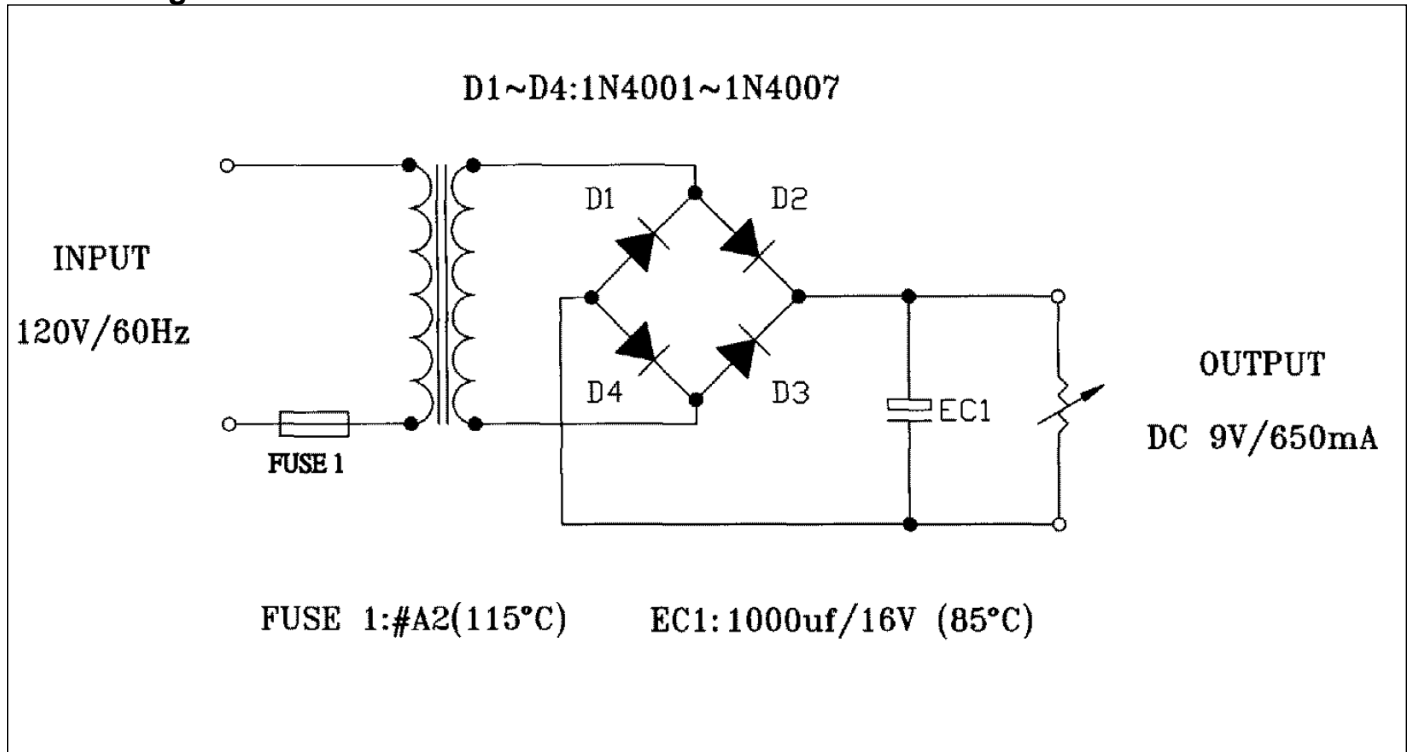
#22AWG X2C BLACK/WHITE WIRE BLACK WIRE IN OUTER, BLACK/WHITE WIRE IN INNER

WIRE OD: $\phi 1.8 \times 3.6$

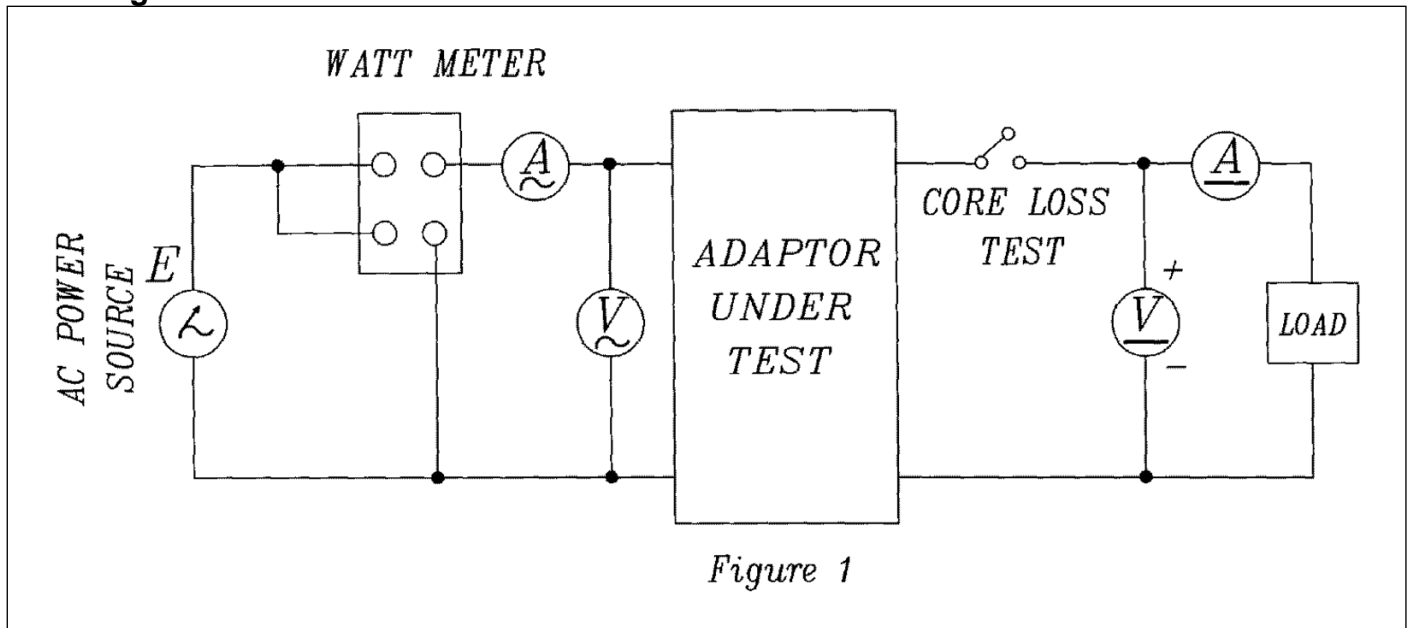
Parameter request	a. 150'
VIBRATION TEST	b. WEIGHT 200g
	c. 40 ROUND/MINUTE
	d. OVER 1000 COUNT MIN



Circuit Diagrams



Test Diagram





CUI INC

Part No: DPD090065-P5P-SZ

Date: 4/05/2006

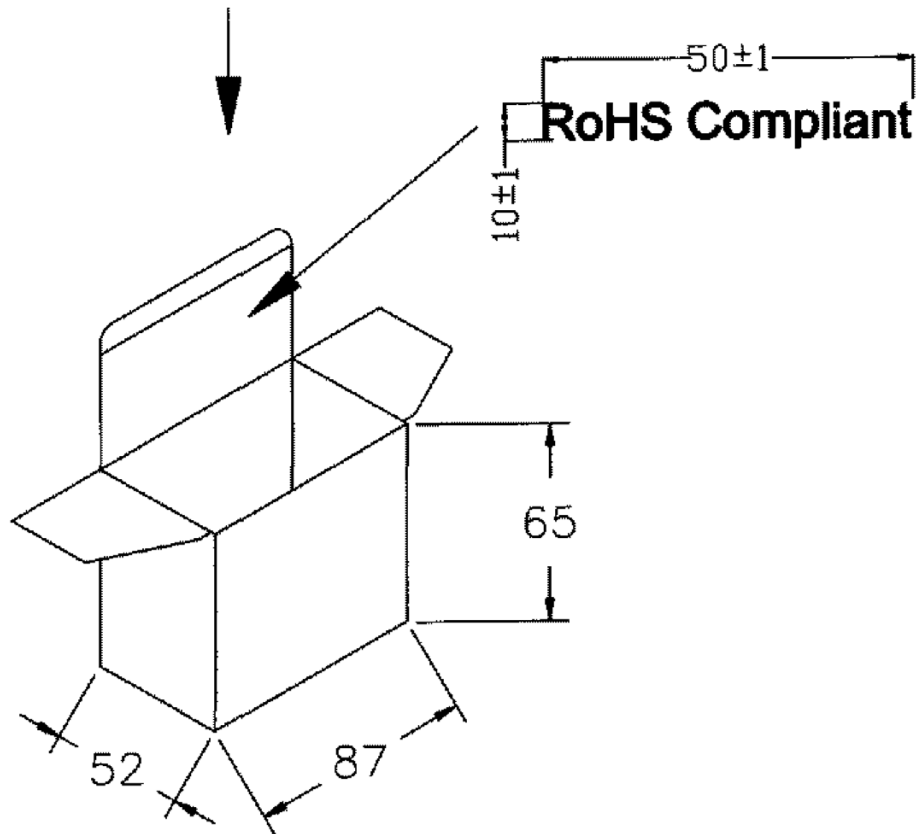
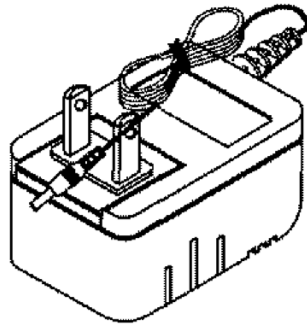
Unit: mm

Description: linear power supply

Page No: 6 of 7

Individual Packaging

Tolerance: ± 1





Packaging

Tolerance: +7/-0

EXTERNAL CARTON MATERIAL:A=B(6mm)
INTERNAL CARTON MATERIAL:A-B(3mm)
CARTON SIZE: 376X357X190mm
Q'TY: 60pcs(20X3X1)

